

1100 LITRE DOMED LID CONTAINER WITH THE INNOVATIVE "LID WITHIN A LID"



UNIQUE DESIGN
EASY HANDLING
IMPROVED SAFETY

Just "ASK"!

Mob: 0411 51 21 51

Safety Handles

- Easy grip handles on all sides
- Optimum manoeuvrability
- Compatible with identification and weighing systems



Safety Trunnion

- Increased stability
- Increased safety when lifting



Safety Lid

- Easy and safe handling
- Simple hinged "lid within a lid"
- Prevents depositing of bulky waste



1 100 Litre Container With "Lid Within A Lid"

Material

- Polymer components:
 - Injection moulded from specially designed HDPE
 - Resistant to decay, frost, heat and chemicals
 - Special UV-stabilisers provide excellent ageing characteristics
- Corrosion resistant steel components
- Noise reduction:
 - Wheel assemblies with solid rubber tyres
- Long service life:
 - High quality materials
 - Excellent manufacturing processes
 - Withstands exposure to high mechanical stress levels
- Recycling:
 - All container parts are recyclable

Design

- Easy to use, smaller "lid within a lid"
- In accordance with the safety requirements of EN 840-6
- Special design prevents water ingress
- Versatile, with a comprehensive accessories range
- Easy grip handles on all sides
- Safe, easy handling, even with heavy loads
- Wide lifting trunnions for improved safety during lifting, even with awkward loads
- Various wheel assembly configurations for different applications
- Water drainage plug as standard
- Compatible with identification and weighing systems
- Different colour options
- Prevents depositing of bulky waste
- Easy to clean due to smooth surfaces and rounded internal corners

Accessories

- For accessories and special design variations such as lid apertures, locks and towing brackets, please refer to the separate accessories sheet for 4-wheeled containers

SULO[®]

available from...



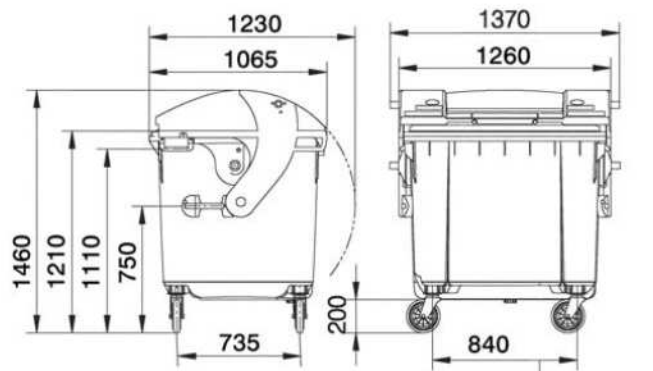
Quality

- Certified according to DIN EN 840 and RAL GZ 951/1
- Constant quality control through manufacturers laboratory as well as independent institutes

Dimensions - Weights - Standards

■ Nominal volume:	1 100 litres
■ Net weight:	approx. 65 kg
■ Max. load:	440 kg
■ Permitted total weight:	510 kg

Measurements to be used as a guide only - variations will occur



Note: Certification and Quality Marks depicted in this brochure are registered to SULO Umwelttechnik GmbH & Co. KG

Colours

- Standard colours: green, blue, yellow
- Special colours are available on request
- All additives are cadmium free and environmentally friendly



Imprints and markings

- Manufacturer, year of manufacture, material
- Nominal volume, max. permitted total weight
- EN 840, RAL markings
- Individual markings with imprints, hot-foil printing or adhesive labels available on request*

PO Box 7224, Redland Bay 4165, QUEENSLAND AUSTRALIA

Phone: +61 (0)7 3807 6113

Email: info@askequipmentsalesqld.com.au

Fax: +61 (0)7 3807 8113

Web: www.askequipmentsalesqld.com.au